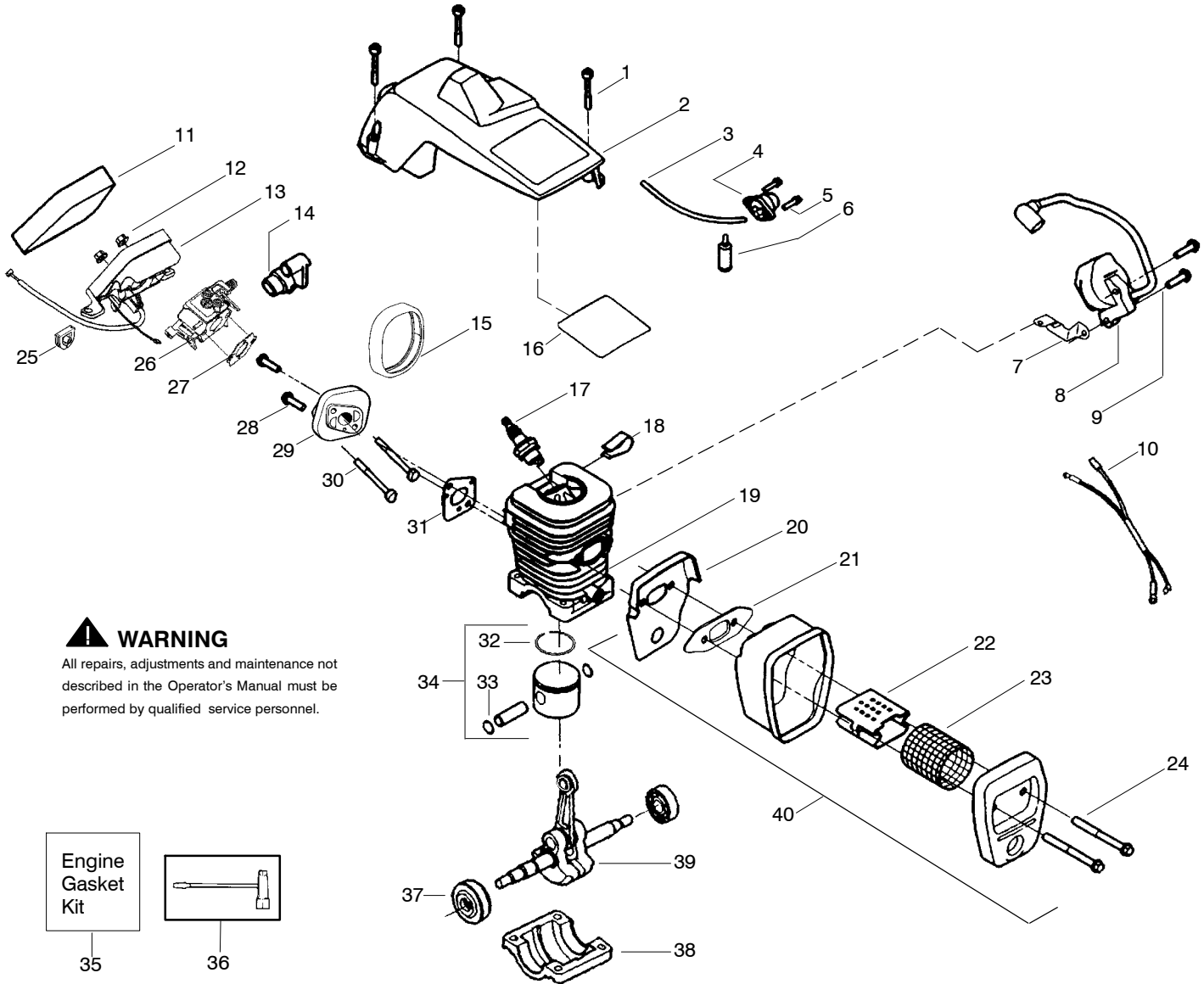


Ref.	Part No.	Description	Ref.	Part No.	Description	Ref.	Part No.	Description
1.	530059667	Assy.-Isolator	26.	530055708	Housing-Fan	53.	530047061	Assy.-Clutch Drum w/bearing
2.	530047608	Limiter Strap	27.	530069232	Kit - Rope	54.	530015611	Washer-Clutch
3.	530059668	Spring-Isolator	28.	530056402	Handle-Starter	55.	530014949	Assy. Clutch
4.	530015158	Washer	29.	530027531	Spring-Recoil	56.	530071259	Kit - Oil Pump (incl. 57,58,60)
5.	530016018	Screw	30.	530015920	Screw	57.	530037820	Gear-Worm Spring
6.	530015843	Screw	31.	530015127	Washer-Flywheel	58.	530049477	Elbow-Oil Pickup
7.	530047583	Front Handle	32.	530039187	Assy-Flywheel	59.	530016064	Screw
8.	530015940	Screw	33.	530047192	Assy-Fuel Cap	60.	530019206	Seal Block
9.	530015814	Screw	34.	530023877	Fitting-fuel line	61.	530047663	Assy-Oil Pick-up (Incl. 62,63)
10.	530044898	Bar 14"	35.	530069216	Kit-Fuel line (large)	62.	530038373	Pick-up Oiler
	530044899	Bar 16"	36.	530016149	Spring-Switch	63.	530056533	Filter-Oil
		Chain	37.	530015775	Screw	64.	545139902	Assy.-Chain Brake
11.	505369852	Chain 14"	38.	530047581	Cover-Rear Handle	65.	530015917	Nut-Bar Mounting
	505369856	Chain 16"	39.	530015886	Screw	66.	530015826	Pin-Bar Adjust
12.	530014381	Kit-Spike (Incl. 13)	40.	530015906	Screw	67.	530038593	Retainer
13.	530016439	Screw	41.	530036098	Throttle Lockout	68.	530069611	Kit-Bar Adjusting (incl. # 66,67)
14.	530016132	Screw	42.	530036097	Trigger-Throttle			
15.	530038238	Plate-Bar Mount.	43.	530047582	Handle - Rear			
16.	530015814	Screw	44.	530071958	Kit-Isolator (Upper)			
17.	530029850	Chain Catcher	45.	530015875	Screw			
18.	530016133	Bolt-Bar	46.	530059668	Spring-Isolator			
19.	530057236	Assy-Oil Cap	47.	530057473	Lever-Switch			
20.	530071666	Kit-Oil Vent	48.	530057474	Lever-Choke			
21.	530016134	Nut-Flywheel	49.	530049005	Grommet-Knob			
22.	530016080	Screw	50.	530015922	Nut-"U"-Type			
23.	545034301	Kit-Starter Pulley	51.	530058730	Assy.-Chassis fuel lines and caps)			
24.	530055723	Baffle-Air	52.	530015907	Washer-Thrust			
25.	530015892	Screw						

★ = NEW PART NUMBER FOR THIS IPL

★ = REFER TO THE SERVICE REFERENCE INDICATED FOR MORE INFORMATION. (LOCATED AT END OF IPL)



⚠ WARNING

All repairs, adjustments and maintenance not described in the Operator's Manual must be performed by qualified service personnel.

Ref.	Part No.	Description	Ref.	Part No.	Description	Ref.	Part No.	Description
1.	530016153	Screw	20.	530049870	Backplate - Muffler	37.	530056363	Assy - Seal & Bearing
2.	530056914	Assy - Cylinder Shield (includes # 16)	21.	530069608	Gasket - Muffler (kit)	38.	530037935	Cap - Crankcase
3.	530069247	Kit - Fuel Line (Small)	22.	530037813	Diffuser - Muffler	39.	530047062	Assy - Crankshaft
4.	530071835	Kit - Air Purge (incl. #5)	23.	530036103	Screen - Spark	40.	530047207	Assy - Muffler (Incl. 20,21,22,23,24)
5.	530015780	Screw	24.	530016132	Bolt - Muffler			Not Shown
6.	530095646	Assy - Fuel Pick-up	25.	530047631	Grommet - Throttle Cable			
7.	530047442	Strap - Ground	26.	---	Kit - Carburetor			
8.	530039198	Ignition Module		530071820	Zama (W - 20)			
9.	530015814	Screw		530071821	Walbro (WT - 662)			
10.	530057475	Assy - Wire Harness	27.	530069608	Gasket - Carb. (kit)	↗	545123709	Manuals (Scan)
11.	530037793	Foam - Air Filter	28.	530016386	Screw	↗	545123711	(Euro 1)
12.	530016101	Nut	29.	530049700	Carb. Adapter	↗	545123712	(Euro 2)
13.	530057702	Assy - Air Box	30.	530016187	Screw	↗	545123710	(Euro 3)
14.	530035526	Grommet - Carb Adjust	31.	530069608	Gasket - Adaptor (kit)	↗	545123713	(Euro 4)
15.	530054144	Seal - Carb Adapter	32.	530038729	Ring - Piston	↗	545123714	(Euro 5)
16.	530055698	Reflector - Heat	33.	530015697	Retainer - Piston Pin	↗	545123715	(Russian)
17.	952030150	Spark Plug (RCJ - 7Y)	34.	530071408	Kit - Piston (Incl. 32 & 33)	↗	545123716	(Turkish)
18.	530016136	Clip - High Tension Lead	35.	530069608	Kit - Engine Gasket (Incl. 21, 27 & 31)	↗	545003009	Decal - Warning
19.	530012550	Cylinder	36.	530031135	Scrench			

↗ = NEW PART NUMBER FOR THIS IPL

★ = REFER TO THE SERVICE REFERENCE INDICATED FOR MORE INFORMATION. (LOCATED AT END OF IPL)